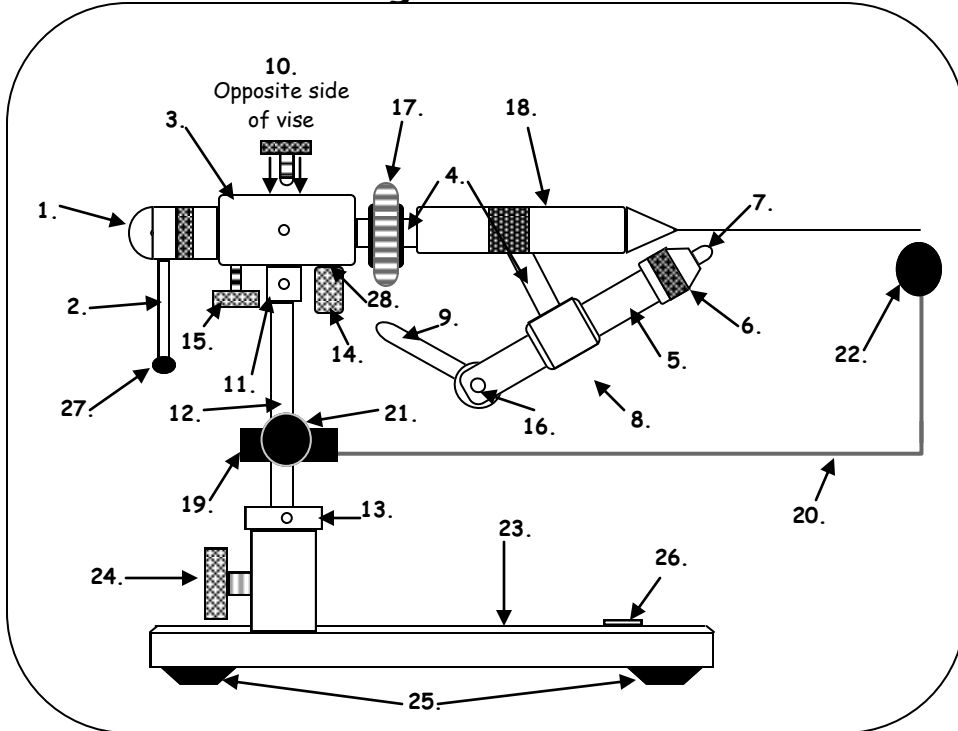


The BARRACUDA INDEXER

Figure 1



Bobbin Hanger & Centering Gauge available separately for purchase.
Set Collar available on clamp models only.

PART LIST

Figure 1

- | | |
|-----------------------|--------------------------|
| 1. Hub | 16. Cam Pin |
| 2. Hub Handle | 17. Material Clip |
| 3. Bearing Housing | 18. Centering Gauge |
| 4. Spindle | 19. Bobbin Hanger Mount |
| 5. Vise Body | 20. Bobbin Hanger Wire |
| 6. Forcing Cone | 21. Bobbin Hanger Screw |
| 7. Jaws | 22. Bobbin Rest |
| 8. Slide Lock Screw | 23. Extra Large Base |
| 9. Cam Handle | 24. Base Lock Screw |
| 10. Tension Screw | 25. Base Feet |
| 11. Shaft Adaptor | 26. Name Plate |
| 12. Shaft | 27. Hub Ball |
| 13. Set Collar | 28. Serial Number (under |
| 14. Indexing Knob | Indexing Knob #14 on |
| 15. Rotary Lock Screw | Bearing Housing #3) |

PARTS LIST

Figure 2

- | |
|----------------------|
| 1. Plunger Pin |
| 2. Locking Set Screw |
| 3. Bearing Housing |
| 4. Tension Screw |
| 5. Spindle |
| 6. Indexing Knob |

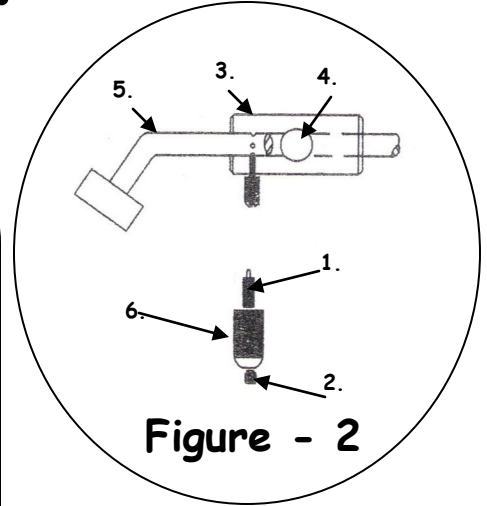
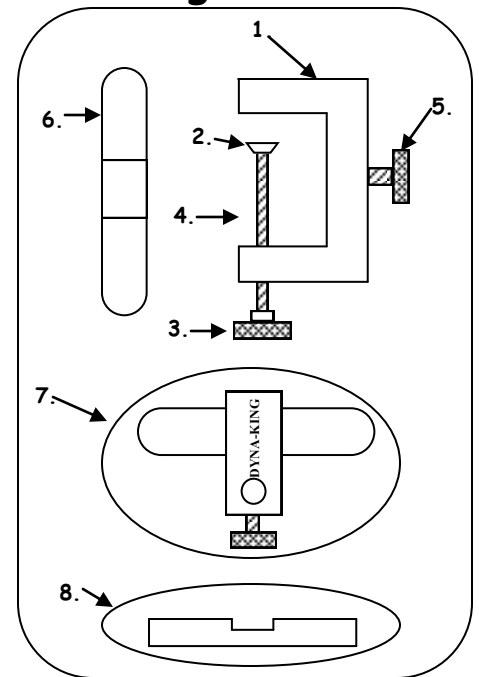


Figure - 2

Figure 3



PARTS LIST

Figure 3

- | | |
|----------------------|----------------------|
| 1. Clamp Base | 7. Top View of Clamp |
| 2. Clamp Shoe | with Outrigger |
| 3. Clamp Handle Knob | installed |
| 4. Clamp Screw | 8. Side View Of |
| 5. Clamp Lock Screw | Outrigger |
| 6. Outrigger | |

Pedestal vises come with a 7" shaft Clamp vises come with a 9" shaft.