



# DYNA-KING

## the KINGFISHER



This introductory level vise offers the same high quality you have come to expect from the Dyna-King line. This small, yet durable, vise is machined from stainless steel & aluminum.

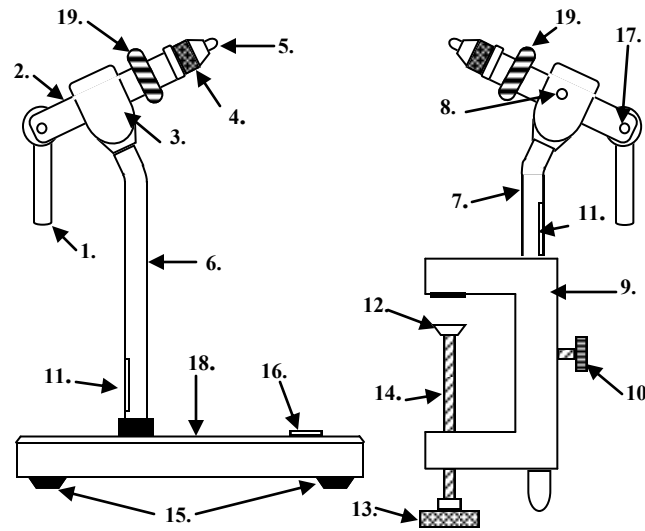
Featuring our famous hook holding capability, notch lock cam and 360° rotation. Also comes with a material clip.

DYNA-KING®

597 SANTANA DRIVE, UNIT A  
CLOVERDALE, CA 95425, USA

Toll Free (800) 396-2546 • Ph (707) 894-5566  
Fax (707) 894-5990

www.dyna-king.com • info@dyna-king.com



### PARTS LIST

1. Cam Handle
2. Vise Body
3. Adaptor
4. Forcing Cone
5. Jaws
6. Threaded Bent Pedestal Shaft
7. Bent Clamp Shaft
8. \* Retaining Screw (Do Not Adjust or Remove)
9. Small Clamp Base
10. Base Lock Screw
11. Serial Number Label (Do Not Remove)
12. Clamp Shoe
13. Clamp Handle Knob
14. Clamp Screw
15. Base Feet
16. Name Plate
17. Cam Pin
18. Small Pedestal base
19. Material Clip

\* The Retaining Screw (#8) is NOT to be used for tension. Tightening the screw may cause it to strip the vise threads & damage the body.

### INFORMATION

Please take note of the two grooves in the vise **JAWS #5**. These will accommodate hook sizes 24-8/0. **Midge Jaws**, available for purchase, will hold hooks down to a size 32. Large hooks should be held in the rear groove, medium hooks are best held in the groove closest to the **Jaw** tips. Smaller hooks should be held in the **Jaw** tips.

**Tension** on the hook can be achieved by adjusting the **Forcing Cone #4**. To tighten, or loosen, the grip of the **Jaws** on the hook, the **Cam Handle #1** must first be raised, so that the **Jaws** will be in the open position. Adjust the **Forcing Cone** only enough so as that the **Jaws** will hold the hook securely. **Over tightening the Forcing Cone, or adjusting the cone while the cam is in the down position, may cause the jaws to lock, and possibly remain, closed.**

To **Clean & Maintain** your vise use a soft cloth with a lubricant spray to wipe your vise periodically. To keep your **Forcing Cone** and out your **Jaws**. A light coating of marine boat grease, available at your local auto parts store, may be applied to the **inside of the forcing cone & the outside shank of the Jaws.**

Thank you for Choosing  
**Dyna-King, Inc. We hope that your new KINGFISHER** vise will bring you many years of fly-tying enjoyment!