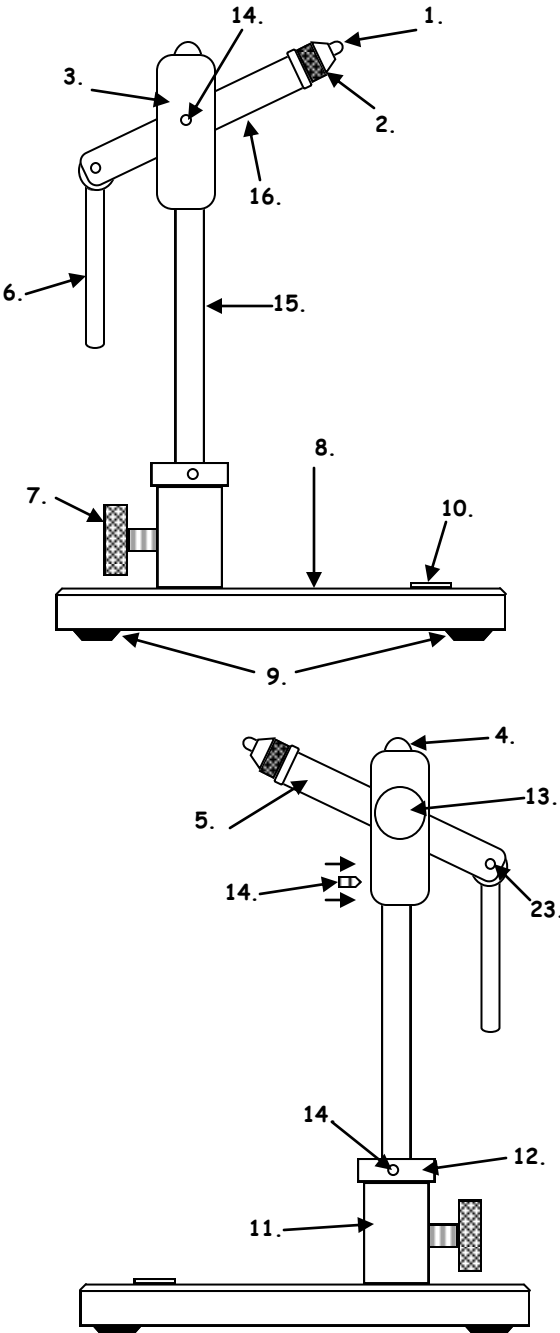
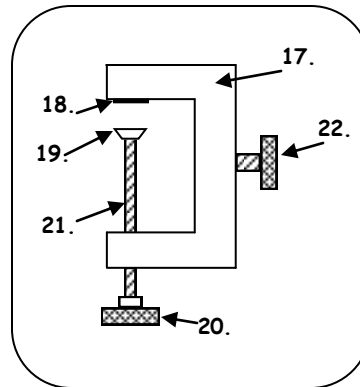


Dyna-King®, Inc.  
**PRINCE**



**PRINCE**  
**PARTS LIST**

- |   |                      |
|---|----------------------|
| 1. Jaws                                       | 13. Tension Screw    |
| 2. Forcing Cone                               | 14. Set Screw (3)    |
| 3. Adaptor                                    | 15. Shaft            |
| 4. Material Clip                              | 16. Serial Number    |
| 5. Vise Body                                  | 17. Large Clamp Base |
| 6. Cam Handle                                 | 18. Felt Pad         |
| 7. Base Lock Screw                            | 19. Clamp Shoe       |
| 8. Large Pedestal Base                        | 20. Clamp Handle     |
| 9. Base Feet                                  | 21. Clamp Screw      |
| 10. Name Plate                                | 22. Clamp Lock Screw |
| 11. Base Column                               | 23. Cam Pin          |
| 12. Set collar—available on clamp models only |                      |



**PRINCE**  
**INFORMATION**

**JAWS:** To open the JAWS simply raise the CAM HANDLE to the upward position. Insert the hook you will use for tying into the JAW, using the appropriate size groove. Each of these grooves will accommodate a different range of hook sizes. Large hooks will be held best in the rear grooves. Medium size hooks should be held in the groove closest to the JAW tips. Any hook too small to be held securely in the grooves will be held best by the serrated section of the JAW tips.

**FORCING CONE:** To adjust tension on the hook, raise your CAM HANDLE and screw the FORCING CONE counterclockwise to reduce tension & clockwise to increase tension. It is important to never over tighten the FORCING CONE. Over tightening the FORCING CONE, or adjusting the FORCING CONE while the JAWS are closed & the CAM HANDLE is in the down position, may cause the JAWS to lock & possibly remain closed.

**TO CLEAN & MAINTAIN:** You may wipe down your vise with a soft cloth & a light machine oil, or a lubricant spray. It is important to periodically grease the inside of the FORCING CONE and the outside shank of the JAWS with a marine boat grease, taking care not to get grease between the JAWS.

DYNA-KING, INC.  
 597 SANTANA DRIVE, UNIT A  
 CLOVERDALE, CA 95425, USA  
 Toll Free (800) 396-2546 • Ph(707) 894-5566  
 Fax (707) 894-5566 • www.dyna-king.com  
 Email: info@dyna-king.com

Pedestal vises come with a 7" shaft.  
 Clamp vises come with a 9" shaft.