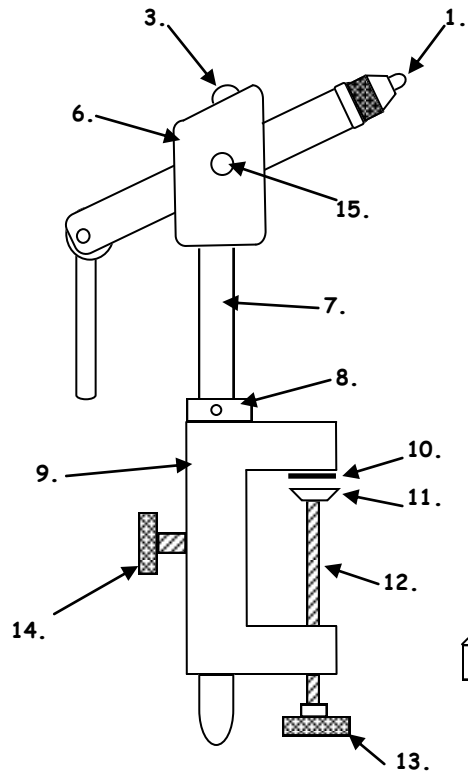
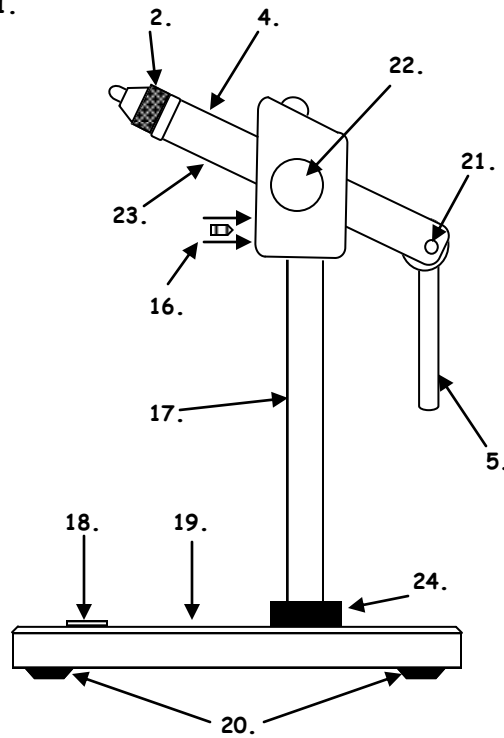


## SQUIRE CLAMP



## SQUIRE PEDESTAL

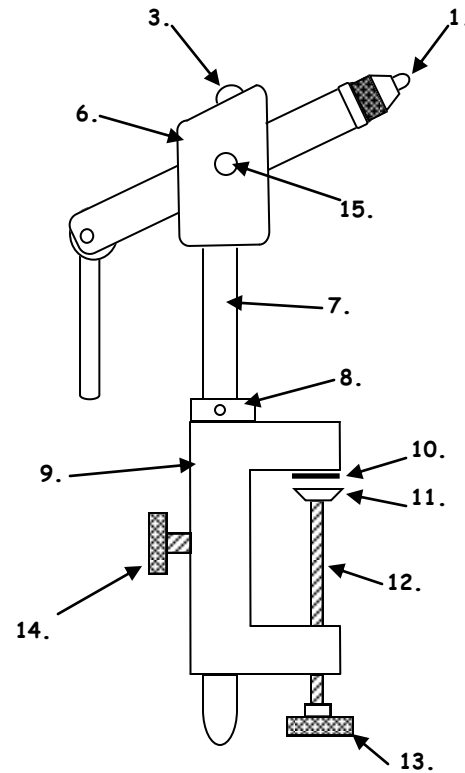


## SQUIRE PARTS LIST

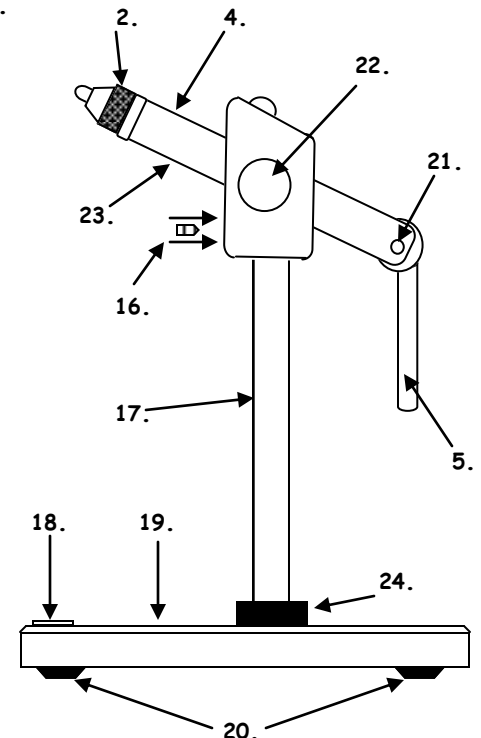
- |                  |                    |
|------------------|--------------------|
| 1. Jaws          | Screw              |
| 2. Forcing Cone  | 15. Set Screw      |
| 3. Material Clip | 16. Set Screw      |
| 4. Vise Body     | 17. Threaded       |
| 5. Cam Handle    | Pedestal Shaft     |
| 6. Adaptor       | 18. Name Plate     |
| 7. Clamp Shaft   | 19. Small Pedestal |
| 8. Set Collar    | Base               |
| 9. Small Clamp   | 20. Base Feet      |
| 10. Felt Pad     | 21. Cam Pin        |
| 11. Clamp Shoe   | 22. Tension Screw  |
| 12. Clamp Screw  | 23. Serial Number  |
| 13. Clamp Handle | 24. Shaft Washer   |
| 14. Clamp Lock   |                    |

**NEVER OVERTIGHTEN  
OR ADJUST THE  
FORCING CONE!  
OVERTIGHTENING THE  
FORCING CONE OR  
ADJUSTING THE CONE  
WHILE THE CAM IS IN  
THE DOWN POSITION  
& THE JAWS ARE  
CLOSED MAY CAUSE  
THE JAWS & CONE TO  
LOCK & POSSIBLY  
REMAIN CLOSED**

## SQUIRE CLAMP



## SQUIRE PEDESTAL



## SQUIRE PARTS LIST

- |                  |                    |  |
|------------------|--------------------|--|
| 1. Jaws          | Screw              | <b><u>NEVER OVERTIGHTEN<br/>OR ADJUST THE<br/>FORCING CONE!<br/>OVERTIGHTENING THE<br/>FORCING CONE OR<br/>ADJUSTING THE CONE<br/>WHILE THE CAM IS IN<br/>THE DOWN POSITION<br/>&amp; THE JAWS ARE<br/>CLOSED MAY CAUSE<br/>THE JAWS &amp; CONE TO<br/>LOCK &amp; POSSIBLY<br/>REMAIN CLOSED</u></b> |
| 2. Forcing Cone  | 15. Set Screw      |  |
| 3. Material Clip | 16. Set Screw      |  |
| 4. Vise Body     | 17. Threaded       |  |
| 5. Cam Handle    | Pedestal Shaft     |  |
| 6. Adaptor       | 18. Name Plate     |  |
| 7. Clamp Shaft   | 19. Small Pedestal |  |
| 8. Set Collar    | Base               |  |
| 9. Small Clamp   | 20. Base Feet      |  |
| 10. Felt Pad     | 21. Cam Pin        |  |
| 11. Clamp Shoe   | 22. Tension Screw  |  |
| 12. Clamp Screw  | 23. Serial Number  |  |
| 13. Clamp Handle | 24. Shaft Washer   |  |
| 14. Clamp Lock   |                    |  |