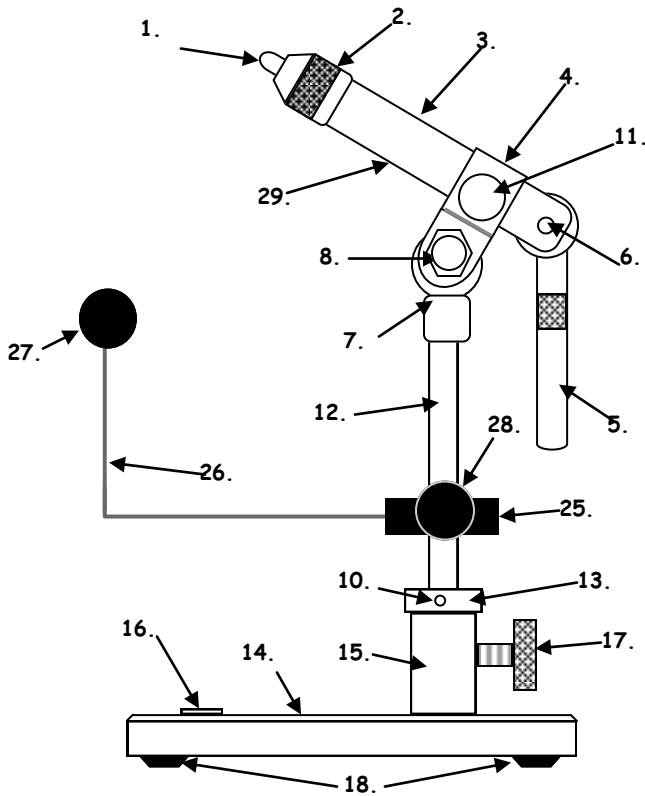


Dyna-King, Inc. SUPREME

SUPREME PARTS LIST

SUPREME



- | | |
|-------------------------|-------------------------|
| 1. Jaws | 16. Name Plate |
| 2. Forcing Cone | 17. Base Lock Screw |
| 3. Body | 18. Base Feet |
| 4. Adaptor | 19. Large Clamp Base |
| 5. Cam Handle | 20. Clamp Lock Screw |
| 6. Cam Pin | 21. Clamp Shoe |
| 7. Pivot Head | 22. Felt Pad |
| 8. Pivot Head Lock Nut | 23. Clamp Handle |
| 9. Pivot Lock Screw | 24. Clamp Screw |
| 10. Set Screw (2) | 25. Bobbin Mount |
| 11. Tension Screw | 26. Bobbin Hanger Wire |
| 12. Shaft | 27. Bobbin Rest |
| 13. Set Collar | 28. Bobbin Hanger Screw |
| 14. Large Pedestal Base | 29. Serial number |
| 15. Column | |

JAWS: To open the JAWS simply raise the CAM HANDLE to the upward position. Insert the hook you will use for tying into the JAW, using the appropriate size groove. Each of these grooves will accommodate a different range of hook sizes. Large hooks will be held best in the rear grooves. Medium size hooks should be held in the groove closest to the JAW tips. Any hook too small to be held securely in the grooves will be held best by the serrated section of the JAW tips.

FORCING CONE: To adjust tension on the hook, raise your CAM HANDLE and screw the FORCING CONE counterclockwise to reduce tension & clockwise to increase tension. It is important to never over tighten the FORCING CONE. Over tightening the FORCING CONE, or adjusting the FORCING CONE while the JAWS are closed & the CAM HANDLE is in the down position, may cause the JAWS to lock & possibly remain closed.

TO CLEAN & MAINTAIN: You may wipe down your vise with a soft cloth & a light machine oil, or a lubricant spray. It is important to periodically grease the inside of the FORCING CONE and the outside shank of the JAWS with a marine boat grease, taking care not to get grease between the JAWS.

**Pedestal vises come with a 7" shaft.
Clamp vises come with a 9" shaft.
Includes a Material Clip Spring.**

DYNA-KING, INC.
597 SANTANA DRIVE, UNIT A
CLOVERDALE, CA 95425, USA
Toll Free (800) 396-2546
Ph(707) 894-5566 • Fax (707) 894-5566
www.dyna-king.com
Email: info@dyna-king.com

FEATURES

- Infinite angle position
- 3 1/2 lb. base
- 360° rotation
- Notch Lock Cam
- Hold hooks 10/0 down

To change the tying angle on the vise, firmly grasp the vise body with one hand and tilt the vise body to the desired angle. Resistance to the angle change is pre-set at the factory. However, the amount of resistance to the angle change may be increased or decreased by loosening or tightening the hexagon acorn nut using the 7/16" box wrench included with your vise.

Bobbin Hanger sold separately. Set Collar Available on clamp models only

Clamp Base

Opposite side of ADAPTOR

